

INSTRUCTIONS AND REPAIR PARTS LIST

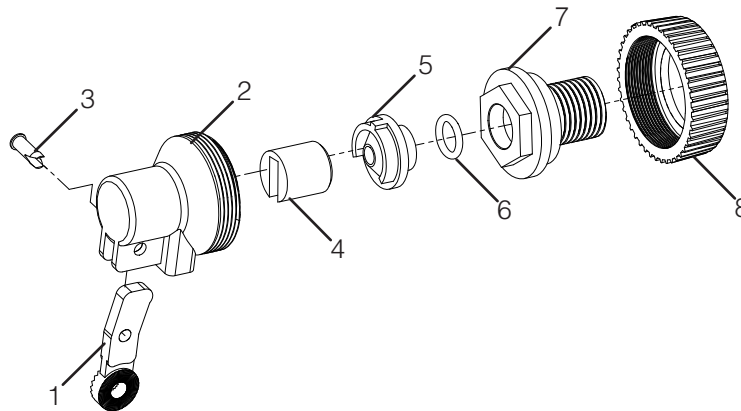
VP2
Valve Series

READ ALL DIRECTIONS CAREFULLY BEFORE BEGINNING INSTALLATION

Tools Required: Teflon Tape, 1" Socket or Box End Wrench

VP2 PARTS LIST

Ref No	Item Number	Description	VP221	VP223	VP224	VP226	VP227	VP2-1/8RP	VP2-1/4RP
1	VP29	Valve Arm, Poly	•	•	•	•	•	•	•
2	VP21	Valve Body, Poly	•	•	•	•	•	•	•
3	VM106	Lock Pin, Poly	•	•	•	•	•	•	•
4	VP28	Plunger, Poly/Rubber	•	•	•	•	•	•	•
5	VP24	1/8" Diameter Orifice, Poly		•		•	•	•	
5	VP26	1/4" Diameter Orifice, Poly	•		•				•
6	VP112	5/8" O-Ring x .103, Rubber	•	•	•	•	•	•	•
7	VP117	3/4" NPT Base, Brass	•						
7	VP118	1/2" NPT Base, Brass				•			
7	VP13	3/4" NPT Base, Poly		•	•				
7	VP14	1/2" NPT Base, Poly					•		
8	VP15	Assembly Nut, Poly	•	•	•	•	•		



MODEL NUMBERS

The MODEL NUMBERS are: VP221, VP223, VP224, VP227, VP2-1/8RP, VP2-1/4RP

WHEN ORDERING PARTS

- (1) Show MODEL NUMBER and NAME: Example - VP221 Float Valve, 1/4" Orifice
- (2) Show PART NUMBER and FULL DESCRIPTION of part: Example - VP21 Valve Body, Poly

HOW TO ORDER PARTS

Repair parts may be ordered from your dealer.



PO BOX 2000 • HOUGHTON, IOWA 52631 • USA
 PHONE: 319-469-4141 FAX: 319-469-4402
 www.hawkeysteel.com E-MAIL: sales@hawkeysteel.com



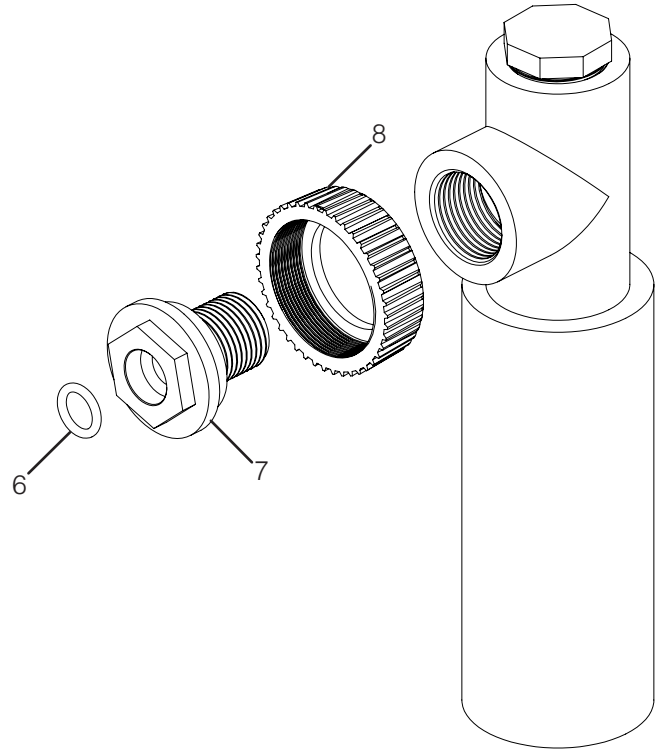
ISHVP2
 REV. 3.0
 PRINTED IN U.S.A.

VP2 Maximum Shut-Off Pressure (PSI) in Relation to Orifice Size and Float Arm Length

	VP24 - 1/8" Orifice	VP26 - 1/4" Orifice
VA225P - 1-1/8" Arm	100 PSI	40 PSI
WC725P - 2-1/2" Arm	120 PSI	65 PSI
WC726P - 3-5/8" Arm	130 PSI	85 PSI

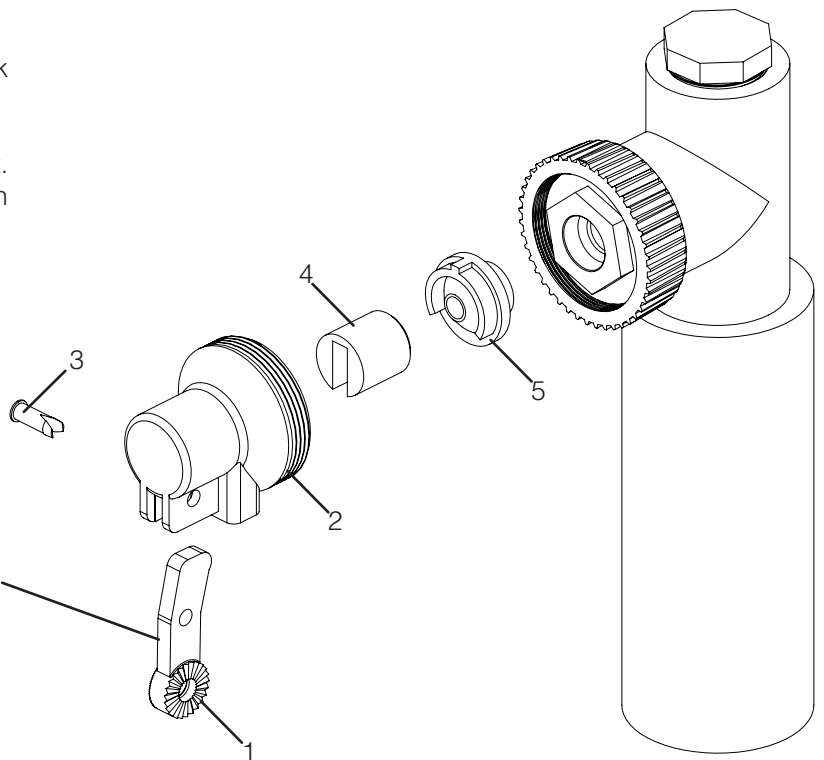
STEP 1

- Flush lines thoroughly to remove all foreign material.
- Do not subject valve to excessive tool pressures at any time.
- Hold inlet pipe securely while connecting to water supply line.
- Use Teflon tape or pipe seal on Base threads.
- Install Base, Assembly Nut and O-Ring first. Hand tighten Base plus one turn with 1" socket or box end wrench.



STEP 2

- First install Valve Arm in Valve Body using Lock Pin.
- Insert Plunger and Orifice in Valve Body.
- Thread Front Assembly onto Assembly Nut. Hand tighten only. Do not use Teflon tape on Valve Body.

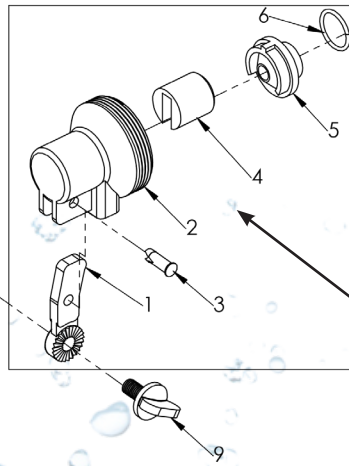
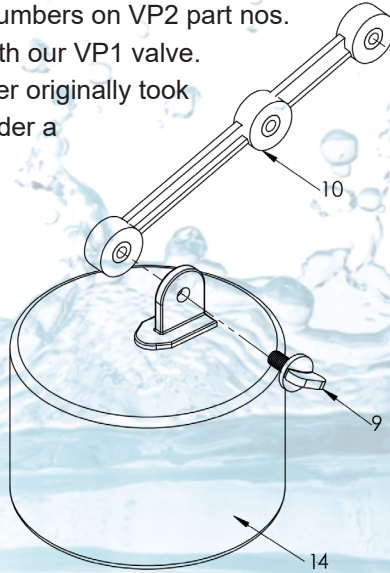


ATTENTION: DO NOT PUT PRESSURE ON VALVE ARM WHILE TIGHTENING FRONT VALVE ASSEMBLY.

VP2 VALVE

- REPLACES VP1
- EASY TO CHANGE
- SIMPLICITY - FEWER PARTS
- INCREASED WATER FLOW

The fully assembled valve part numbers are VP221, VP223, VP224, VP226, VP227. The last 2 numbers on VP2 part nos. match up with our VP1 valve. If your drinker originally took a VP124, order a VP224, etc.



If you want to replace a VP1 valve with a VP2 valve, the base and assembly nut can remain connected to your water supply line.

UPGRADE KITS FOR VP1 VALVES (Includes Items 1-6)

- VP2-1/8RP:**
1/8 Inch Orifice
(For Higher Pressures)
- VP2-1/4RP:**
1/4 Inch Orifice

VP224 VALVE VA6 FLOAT ARM VM117 FLOAT (Items 1-8)

Used on these models: WPM10, WPM10A, MPM10, MPM10A, WPM16, WPM20, MPM20, WPM80, WPM120, WPO25, MPO25, WPO50, & WPO70.

For: WPM14, WPO12, MPO12

**VP223 Valve
VA4 Float Arm
VM117 Float**

For: WPO17, MPO17

**VP223 Valve
VA225P Float Arm
OP321 Float
(Float in Horizontal Position)**

For: MC, MJ, MK

**VP226 Valve
VA225P Float Arm
OP321 Float
(Float in Vertical Position)**

For: MH

**VP221 Valve
WC726P Float Arm
OP321 Float
(Float in Vertical Position)**

VP2 PARTS LIST

Ref No.	Part No.	Description	VP221	VP223	VP224	VP226	VP227	VP2-1/8RP	VP2-1/4RP
1	VP29	Valve Arm, Poly	*	*	*	*	*	*	*
2	VP21	Valve Body, Poly	*	*	*	*	*	*	*
3	VM106	Lock Pin, Poly	*	*	*	*	*	*	*
4	VP28	Plunger, Poly/Rubber	*	*	*	*	*	*	*
5	VP24	1/8" Diameter Orifice, Poly		*	*	*	*	*	
5	VP26	1/4" Diameter Orifice, Poly			*	*	*	*	*
6	VP112	5/8" O-Ring x .103, Rubber	*	*	*	*	*	*	*
7	VP117	3/4" NPT Base, Brass	*						
7	VP118	1/2" NPT Base, Brass				*			
7	VP13	3/4" NPT Base, Poly		*	*				
7	VP14	1/2" NPT Base, Poly					*		
8	VP15	Assembly Nut, Poly	*	*	*	*	*	*	*

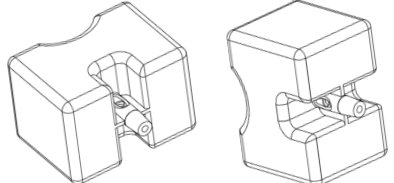
FLOATS AND ARMS

Ref No	Item Number	Description	Ref	Item	Description
9	VP115	Adjust Screw, Poly	13	WC726P	Float Arm 3 5/8", Poly
10	VA6	Float Arm, Gray 6", Poly	14	VM117	Float 4 3/8"(Diameter) x 2 7/8" Tall, Poly
11	VA4	Float Arm, Gray 4", Poly	15	OP321	Float 3 1/2" x 4 1/2" x 3", Poly
12	VA225P	Float Arm, 1 1/8", Poly			

NEW!

**OP321
REDESIGNED**

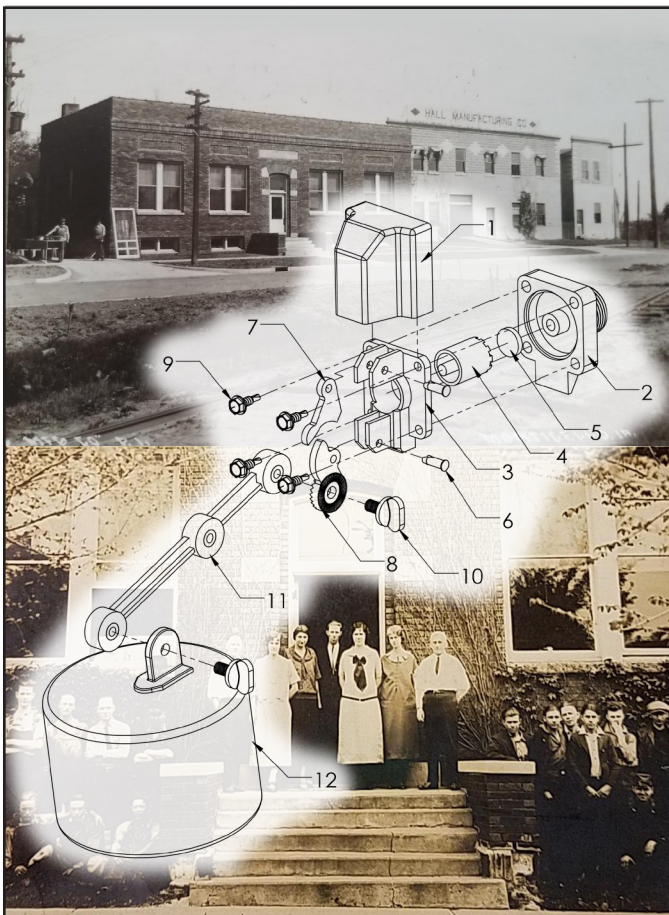
- STRONGER CENTER ATTACHMENT
- LARGER FOR MORE BUOYANCY



MONTICELLO VALVE...

So named because Franklin was headquartered in Monticello, Iowa for many years.

For decades, one of the industry's most recognized water valve came to be known as the **Franklin Valve**. It has been a long established icon because of the way it reliably delivers water to animals. Our **Monticello Valve** is an improvement over the **Franklin Valve**. All of our Monticello parts interchange with Franklin parts, but note this: Our Monticello parts have better integrity (no warping or flashing) than Franklin. Our float and float arm are superior to Franklin. There are a lot of farm stores and dealers who now stock Franklin or have in the past. We have a price competitive option for you. Note: Our **Monticello Valve** performance is comparable to our VP224 valve performance (see page 32) - both SUPERB! We do not necessarily recommend using Monticello in any of our **Brower** waterers - but Monticello can be used in Models MPO12, MPM10, MPM10A and MPM20.



Model No.	Description
VM100	Valve, Monticello, 3/4" Base, .45 Orifice Less Float Arm, Thumb Screws & Float
VM200	Valve, Monticello, 3/4" Base, .25 Orifice Less Float Arm, Thumb Screws & Float
VM150	Valve, VM100 Complete with Float Arm, 2 Thumb Screws & Float, .45 Orifice
VM250	Valve, VM200 Complete with Float Arm, 2 Thumb Screws & Float, .25 Orifice

Ref No.	Part No.	DESCRIPTION
1	VM101	Cap BL101
2	VM102	Bottom Base, 3/4" Thread, .45 Orifice BL102
2	VM104	Bottom Base, 3/4" Thread, .25 Orifice BL102
3	VM105	Top Base BL105
4	VM103	Plunger BL108
5	VM107	Plunger Seat Rubber BL107
6	VM106	Lock Pin BL106
7	VM110	Upper Arm BL110
8	VM111	Lower Arm BL111
9	OF210	Base Screw 10 x 5/8 HWH BL109
10	VP115	Thumb Screw BL114
11	VM112	Float Arm Blue 6" BL112 (VM112 & VA6 are identical except for color)
12	VM117	Float 4 3/8" Diameter x 2 7/8" Tall BL117P

(Note: The BL numbers are Franklin Numbers with all due respect to Mr. Barker and Mr. Link)